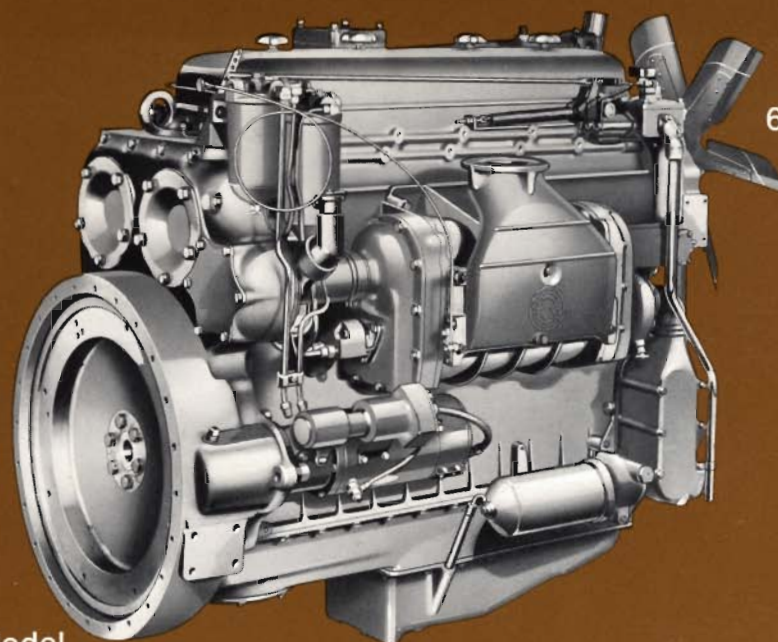


# Detroit Diesel Engines

## fan-to-flywheel models

6-71  
238 hp\*



Typical 6-71  
Fan-to-Flywheel Model

Model  
6-71 1063-5000  
1063-5100  
1063-7000  
1063-7100

## specifications

Basic Engine	6-71 2 Valve	6-71 4 Valve
Model	1063-5100 1063-7100	1063-5000 1063-7000
Engine Type	Two Cycle	Two Cycle
Number of Cylinders	6	6
Bore and Stroke	4¼ in. x 5 in.	4¼ in. x 5 in.
Two Cycle Displacement (Every Downstroke a Powerstroke)	426 cu. in.	426 cu. in.
Rated BHP *60°F and Sea Level (approx.) 85°F and 500 ft.	227 @ 2100 RPM 218 @ 2100 RPM	*238 @ 2100 RPM 228 @ 2100 RPM
Continuous BHP	160 @ 1800 RPM	175 @ 1800 RPM
Torque 85°F and 500 ft.	612 lb. ft. @ 1200 RPM	600 lb. ft. @ 1600 RPM
Piston Speed (feet/minute)	1750 @ 2100 RPM	1750 @ 2100 RPM
Compression Ratio	18.7 to 1	18.7 to 1
Approximate Dimensions		
Length	54 in.	54 in.
Width	29 in.	29 in.
Height	43 in.	43 in.
Net Weight (dry)	2190 lbs.	2190 lbs.

For complete dimensional information, refer to installation drawing 2SA72 for Models 1063-5000, 1063-5100 and 2SA71 for Models 1063-7000, 1063-7100.

## Rating Explanation

**RATED BHP** is the power rating for variable speed and load application where full power is required intermittently.

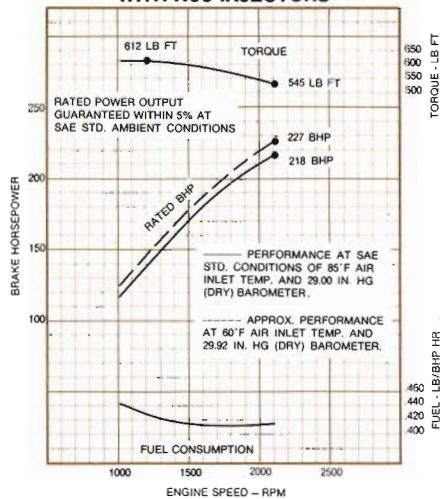
Performance may be derated to improve fuel economy and extend engine life.

**CONTINUOUS BHP** is the power rating for applications operating under a constant load and speed for long periods of time.

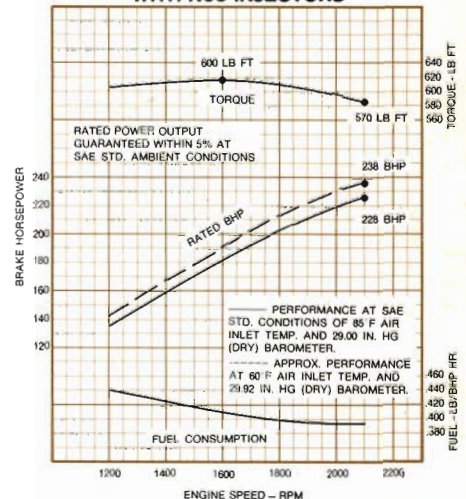
**FUEL CONSUMPTION CURVE** shows fuel used in pounds per brake horsepower hour.

**THESE RATINGS** do not include power requirements for accessory and standard equipment.

**BASIC ENGINE PERFORMANCE  
MODELS 1063-5100 AND 1063-7100  
WITH N65 INJECTORS**



**BASIC ENGINE PERFORMANCE  
MODELS 1063-5000 AND 1063-7000  
WITH N65 INJECTORS**



For complete engine specifications for your application, see your authorized Detroit Diesel Allison representative.

## standard equipment

Air Inlet Housing—Manual shutdown with 50 in. cable

Crankshaft Pulley—7.5 in. diameter, 3-groove

Exhaust Connections—Exhaust manifold and exhaust outlet flange

Fan—22", 5-blade, suction

Flywheel—SAE #1

Flywheel Housing—SAE #1

Generator—12 volt, 25 amp, DC

Governor—Variable speed, with throttle controls

Injectors—Cam-operated, Unit-type, Clean Tip

Instruments—Includes ammeter, oil pressure and water temperature gauges, and starter switch

Lube Oil Filter—Full-flow filter

Oil Pan and Distribution System—For 8 to 17 degree inclination angle

Starting Equipment—12 volt, sprag over-running clutch

For a complete listing of standard and optional equipment, consult your authorized Detroit Diesel Allison representative.

Specifications subject to change without notice.



**Detroit Diesel Allison**  
Division of General Motors Corporation

13400 West Outer Drive Detroit, Michigan, 48228